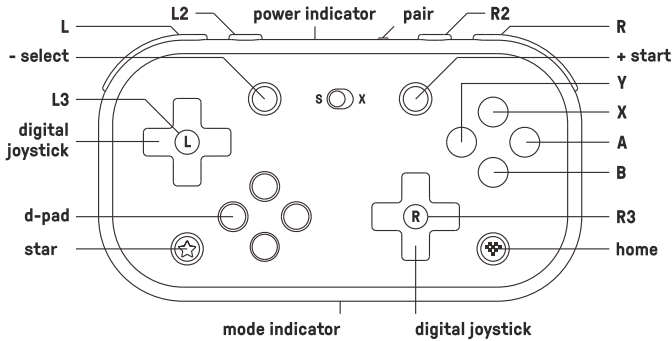
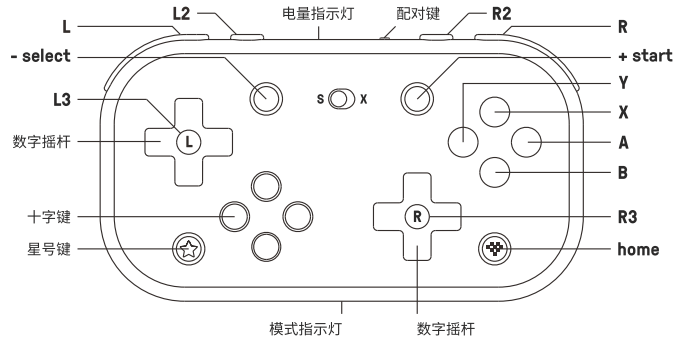


Lite Bluetooth gamepad – instruction manual



- press **home** to turn on the controller
- press & hold **home** for 3 seconds to turn off the controller
- Press and hold **home** for 8 seconds to force turn off the controller

Lite 蓝牙手柄 — 使用说明



- \* 开机: 按 [home] 键。
- \* 关机: 按住 [home] 键 3 秒。
- \* 按 [home] 键 8 秒可强制关机

Switch 

- 1 – put the controller on **S** mode first then press **home** to turn on the controller. LED starts to rotate
  - 2 – press **pair** button for 2 seconds to enter its pairing mode. LED turns off for 1 second then starts to rotate again
  - 3 – go to your Switch Home Page to click on Controllers, then click on Change Grip/Order. LED becomes solid when connection is successful
- controller will auto reconnect to your Switch with the press of **home** once it has been paired

Switch 

1. 将开关置于 S 档位, 轻按 [home] 键开启手柄, 指示灯滚动闪烁。
  2. 按住 [配对] 键 2 秒, 指示灯熄灭 1 秒后继续滚动闪烁, 手柄进入配对状态。
  3. 打开 Switch 主机手柄设置, 进入“更改握法 / 顺序”界面, 等待手柄连接, 连接成功后指示灯呈常亮显示。
- \* 下次连接轻按 [home] 键可自动连接。

Windows (X - input) 


- 1 – put the controller on **X** mode first then press **home** to turn on the controller. LEDs 1 & 2 start to blink
  - 2 – press **pair** button for 2 seconds to enter its pairing mode. LEDs turn off for 1 second then start to rotate again
  - 3 – go to your Windows device's Bluetooth setting, pair with [8BitDo Lite gamepad]. LED becomes solid when connection is successful
- controller will auto reconnect to your Windows device with the press of **home** once it has been paired
  - USB Connection: connect your 8BitDo Lite controller to your Windows device via USB Cable after step 1

Windows (X - input) 

1. 将开关置于 X 档位, 轻按 [home] 键开启手柄, 1、2 号指示灯同时闪烁。
  2. 按住 [配对] 键 2 秒, 指示灯熄灭 1 秒后继续滚动闪烁, 手柄进入配对状态。
  3. 打开 Windows 设备蓝牙, 搜索 [8BitDo Lite gamepad] 连接, 连接成功后指示灯呈常亮显示。
- \* 下次连接轻按 [home] 键可自动连接。
  - \* 有线连接: 第1步后通过 USB 线缆连接到设备。

Turbo function 

- 1 – hold the button you would like to set turbo functionality to and then press the **star** button to activate/deactivate its turbo functionality
- d-pad and analogue sticks are not included
  - this does not apply to Switch mode

Turbo 连发功能 

- 按住需要设置连发的功能键, 再按下 [星号] 键可开启/关闭按键的连发功能。
- \* 左、右摇杆与方向键不支持连发。
  - \* 连接 Switch 时不可用。

battery 

- |                       |        |                        |
|-----------------------|--------|------------------------|
| <b>status –</b>       |        | <b>LED indicator –</b> |
| low battery mode      | —————> | red LED blinks         |
| battery charging      | —————> | red LED stays solid    |
| battery fully charged | —————> | red LED turns off      |

- built-in 480 mAh Li-on with 18 hours of play time
- rechargeable with 1 – 2 hour charging time

电池 

- |             |        |              |
|-------------|--------|--------------|
| <b>电量状态</b> |        | <b>指示灯状态</b> |
| 低电量         | —————> | 红灯闪烁         |
| 充电中         | —————> | 红灯常亮         |
| 充电完成        | —————> | 红灯熄灭         |

- \* 内置 480mAh 锂电池, 可持续使用约 18 小时。
- \* 可使用配备的 USB 线缆进行充电, 充电时间约 1~2 小时, 充电完成后指示灯熄灭。

power saving 


- 1 minute with no Bluetooth connection, will power off
- 15 minutes with Bluetooth connection but no use, will power off
- press **home** to wake up your controller

自动关机 

- \* 开机后 1 分钟内无连接或连接后 15 分钟无操作会自动关机。
- \* 使用时按 [home] 键唤醒可自动连接。

support 

- please visit [support.8bitdo.com](http://support.8bitdo.com) for further information & additional support

固件升级 

- \* 请访问 <http://support.8bitdo.cn/> 了解详细信息。